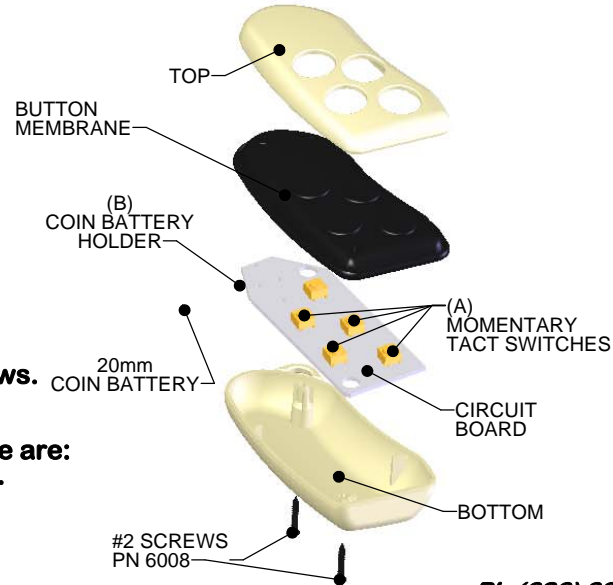
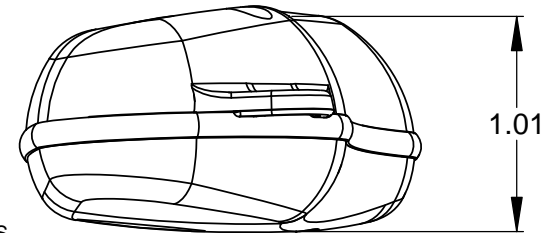
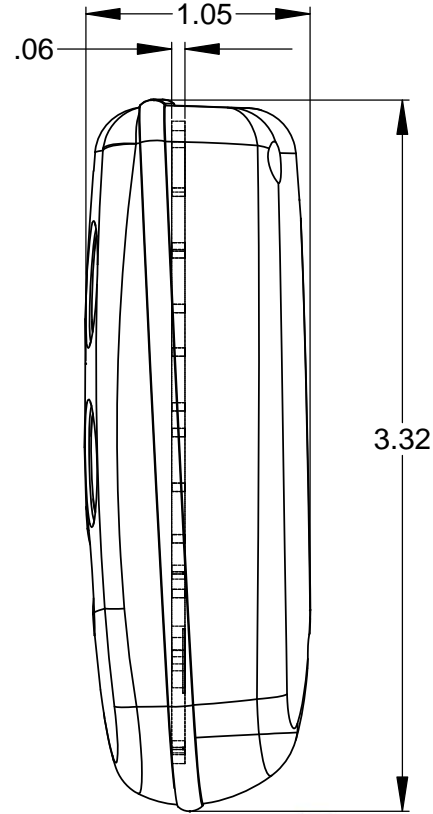
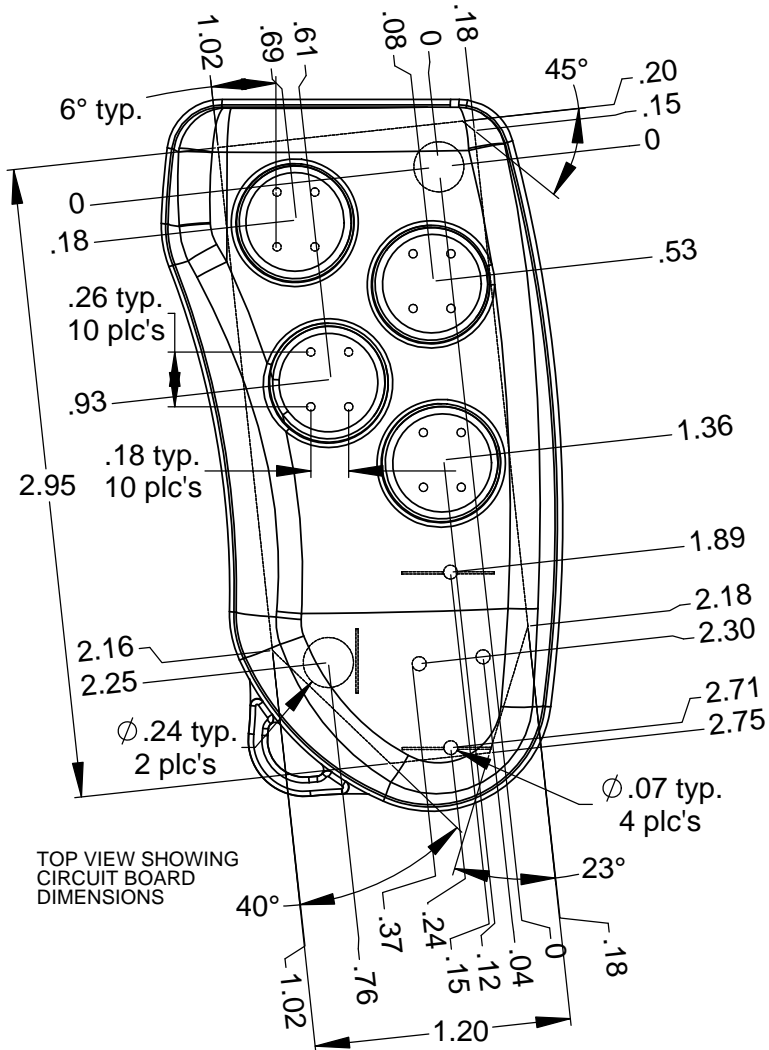


# SERPAC CA8B4 (4 button option)

Electronic Enclosures



**NOTES:**  
**1) Serpac Provides the following components:**  
**Top, Bottom, Button Membrane, 9mm keyring and (2) #2 Screws.**  
**All components are shipped unassembled.**

**2) The switches characteristics recommended for this enclosure are:**  
 - 4.3 mm in height from mounting surface to top of push plate.  
 - Operating force recommended is 1.6 N or more.

**3) For battery contacts use:**  
 - for Coin battery Keystone 3003 positive and 2990 negative.